

# Pads Product Guide

BROUGHT TO YOU BY CONPLANT PTY LTD



**Extend the life of  
your machinery**



**Pads that survive  
the most extreme  
conditions**



**3x the service life**



**Up to 5,000  
working hours**

# Contents

Welcome to Track Pads Australia

Here's Why Customers Choose Our Pads

Chain On Pads

Clip On Pads

Bolt On Pads

Bolt On Pads Types

Get in Touch With Our Expert Team

3 →

4 →

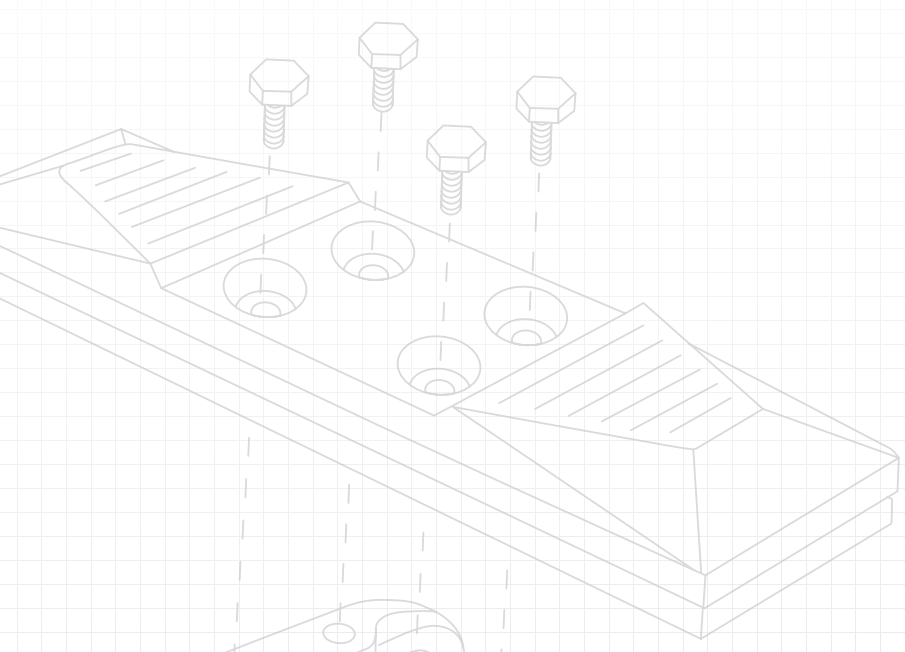
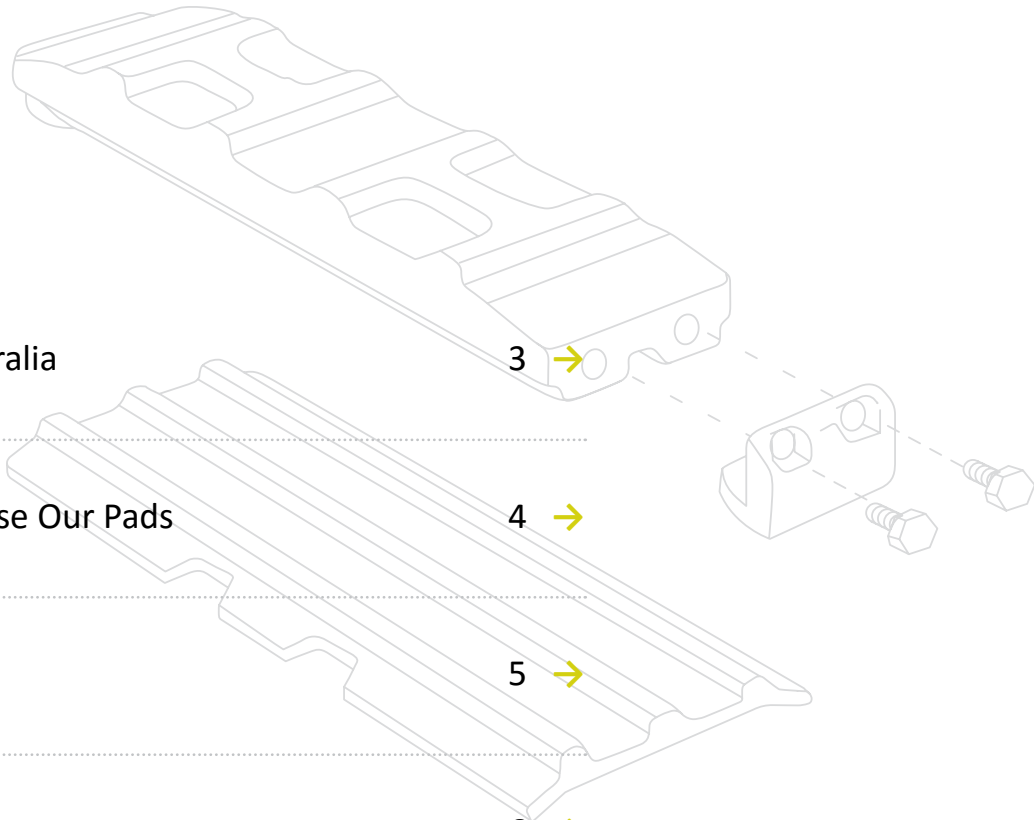
5 →

6 →

7 →

8 →

9 →



**This guide is interactive!**  
Click to jump to each section.



# Welcome to Track Pads Australia

It's our job to keep you moving by providing carefully-curated rubber products covering all major makes and models.

Everything on our shelves is hand-picked to be strong and durable, ready to last you a long time!

Ready to explore our comprehensive, cost-effective range of pads?



Chain On Pads →



Clip On Pads →



Bolt On Pads →

If you want to:

- ✓ Extend the life of your machinery
- ✓ Use pads that survive the most extreme conditions thanks to cut and tear-resistant technology
- ✓ Have every component of your rubber track pad be up to the toughest of challenges
- ✓ Seek a “perfect fit” alternative to bolt-on track pads not compatible with your excavator
- ✓ And strive for cost efficiencies...
- ✓ Then give us a call and see how we can help you!

Then **give us a call** and see how we can help you!



# Here's Why Customers Choose Our Pads



3x the service life and up to 5,000 working hours



Massive range of chain on pads available



Improved shock absorption and tear resistance



Made to make your life easier



Stable and smooth performance



Heavy duty steel backing

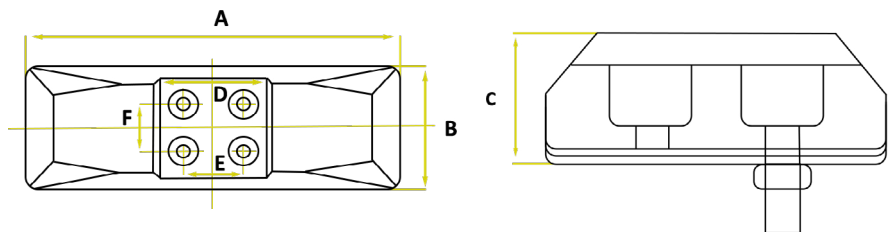
## Easy to install and remove

All track pads come with the required hardware for installation.

## Strong and durable

- **Don't get stuck in the dirt** – maximise machine flexibility and get yourself sorted with a set of clip on pads to put your machine to work on concrete and asphalt!
- **Advanced manufacturing process** – no recycled rubber here!
- **More stable and less likely to slip when digging or using various attachments** - resulting in a safer and more accurate operation
- **Less ground disturbance** and damage to working surfaces than steel track grousers
- **Quieter when traveling** ensuring operator comfort
- **Less vibration throughout the entire machine** - resulting in improved operator comfort and less wear and tear on your equipment

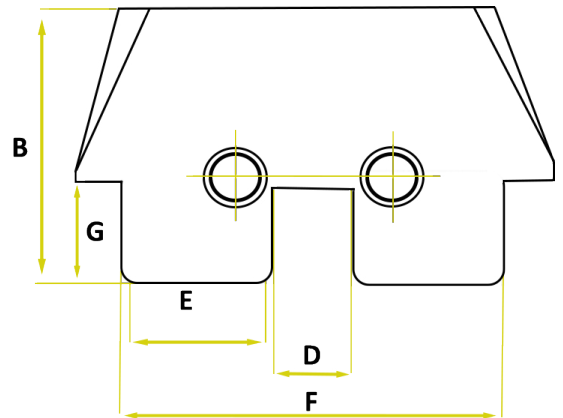
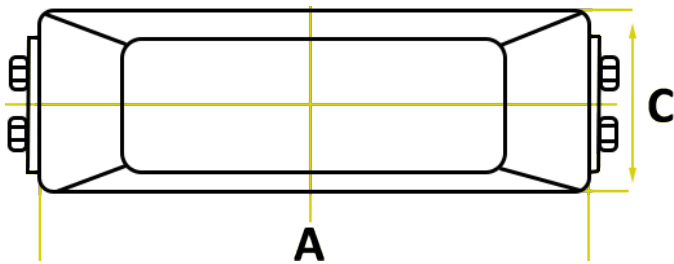
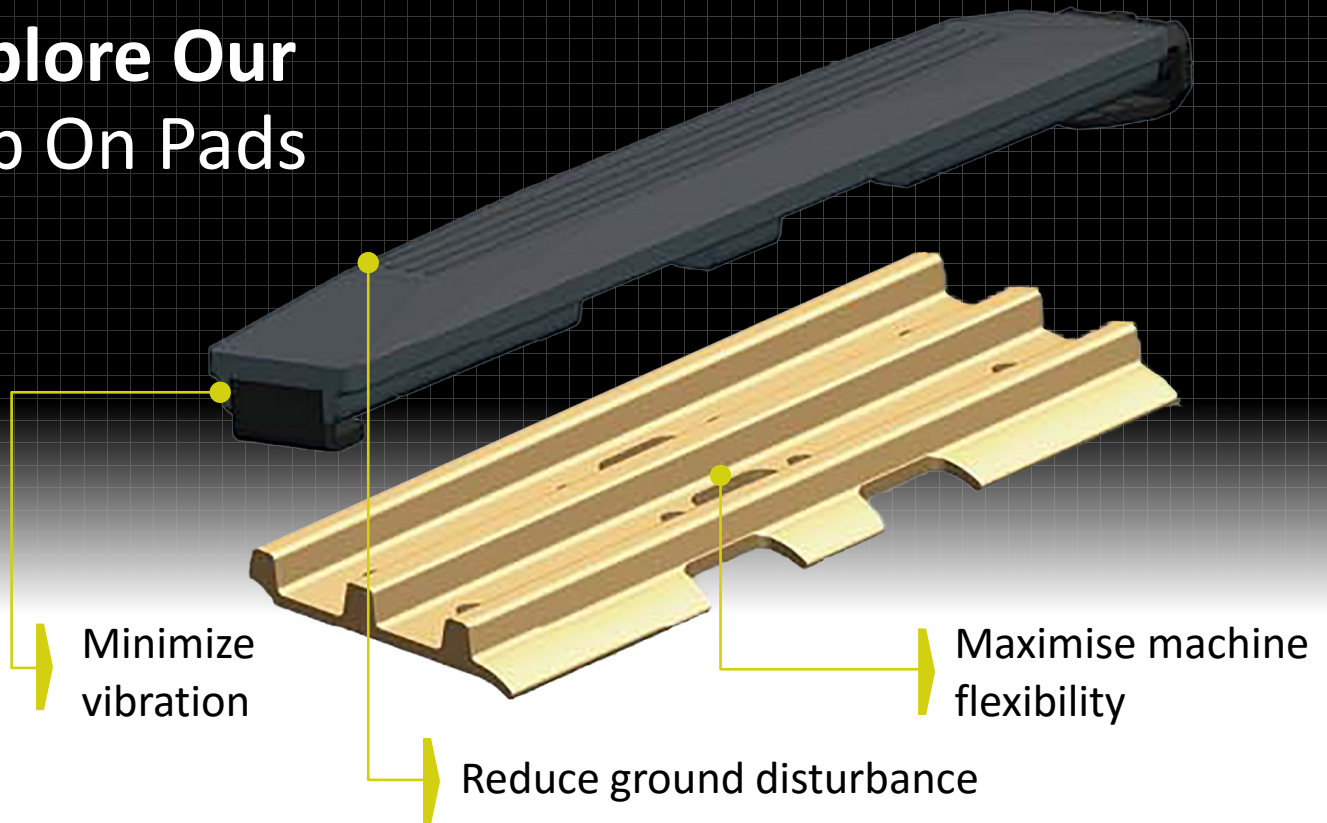
# Explore Our Chain On Pads



## Chain On Pads Models

Model	A	B	C	Bolt	D	E	F
CT400-HT	400	125	50	12	94	64	46
CT400C-HT	398	124	69	12	94	64	46
CT450F-HT	450	145	77	14	89	73	57
CT450H-HT	450	145	54	12	86	86	52
CT500-HT	500	165	63	16	102	86	57
CT500A-Ht	500	165	69	16	108	108	60.5
CT600C-HT	600	162	60	16	108	108	60

# Explore Our Clip On Pads

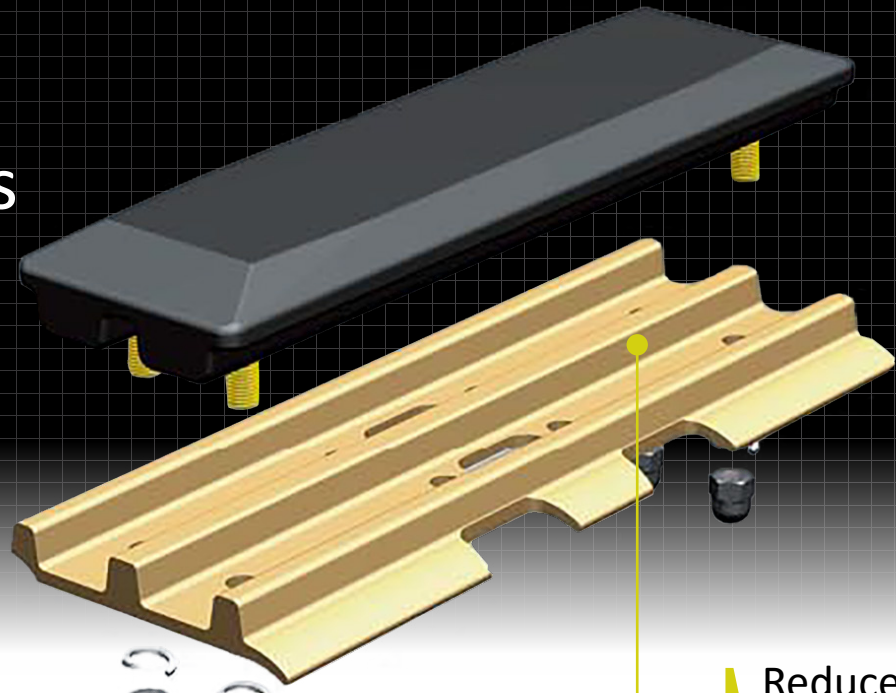


## Clip On Pads Models

Model	A	B	C	D x d	E	F	G
250F-HT	256	50	70		46	49	17
300F-HT	306	50	70		42	49	18
300HD-HT	306	55	108	13	33	81	18
350F-HT	356	50	70		45	49	18
400HD-HT	406	55	108	14	32	82	19
450 xHD-HT	456	56	109	13	31	81.5	20
500G-HT	502	74	142	16	35	104	23
500HD-HT	504	67	130	12	33	104	26
600G-HT	604	74	140	15	35	100	20
600HD-HT	600	70	130	12	33	104	26
600BT-HT	596	52	145	15	48	123	26
700BT-HT	698	60	138	12	43	114	20



# Explore Our Bolt On Pads

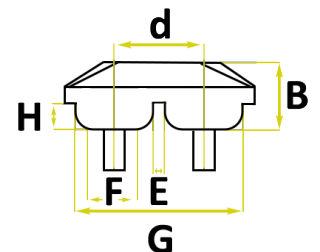
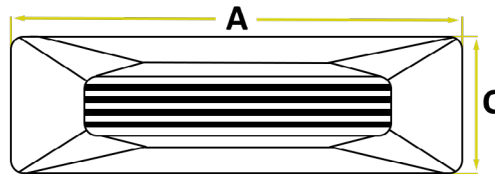
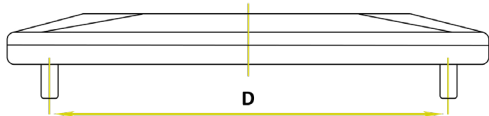


Reduce pad movement

Save on maintenance costs

Easily bolted on and off when jobs change

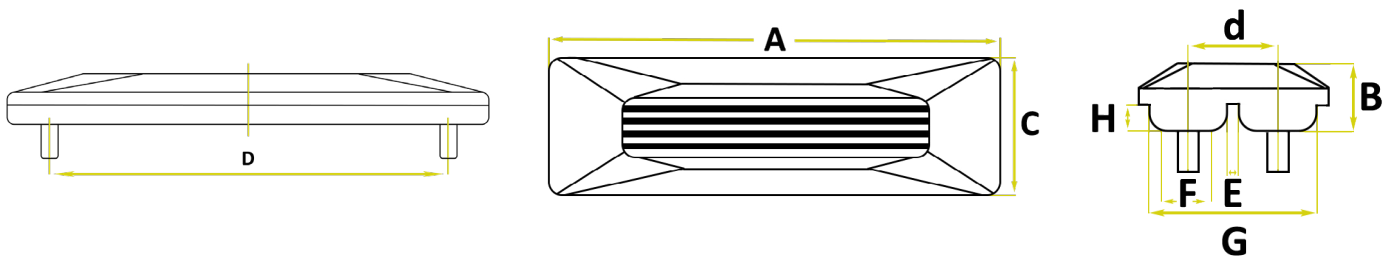
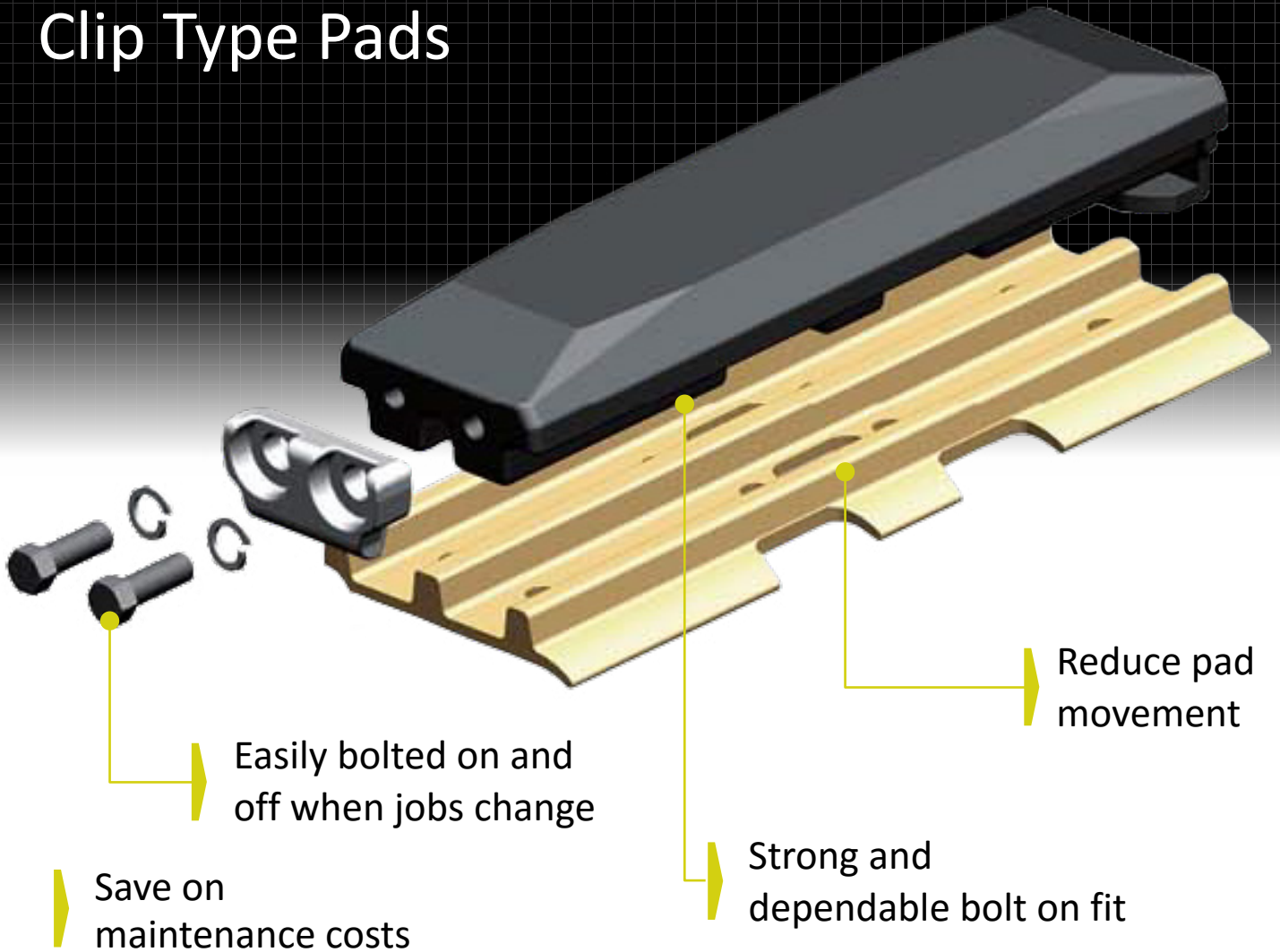
Strong and dependable bolt on fit



## Bolt On Pads Models

Model	A	B	C	D x d	E	F	G	H
230W-HT	225	38	70	150		50	56	16.5
230SA-HT	23	32	63	150		44	52	15
230SB-HT	230	32	70	150		50	55	16
250W-HT	245	38	70	200		50	56	16.5
250S-HT	250	34	70	200		50	56	16.5
300S-HT	300	34	70	200		50	56	16.5
350A-HT	350	38	70	200		46	52	16
350B-HT	350	37	112	250x46	9	35.5	91	14 (11)
350LR-HT	350	36	105	290x46	8.5	34.5	88.5	14
400LR-HT	398	39	109	300x46	9	36.5	92	141(11)
400S-HT	400	36	110	300x46	8.7	36	91.4	15(11)
450SA-HT	447	45	103	300x46	8	31	83	17
450LR-HT	450	42	128	350x58	11.5	14(45)	107	20
450S-HT	450	48	127	350x58	10	42(44.5)	109	19
475-HT	475	45	133	350x60	13	43	113	20
500S-HT	8500	45	133	350x60	13	42	112	20
600B5-HT	600	52	135	500x60	16	42	117	19
600S-HT	600	69	150	400x69	15	48	124	26

# Explore Our Bolt Clip Type Pads



## Bolt Clip Type Models

Model	A	B	C	D x d	E	F	G
600BT-HT	596	52	145	15	48	123	26
700BT-HT	698	60	138	12	43	114	20



# Ready to get a quote on all your Track Pads Australia needs?

We're here and ready to chat!  
Reach out to our friendly experts  
to discuss your next job and we'll  
get you sorted in no time.

Perhaps you have a large order or need something specific? We've got you covered.

Contact the Track  
Pads Australia team



Or call us on **1300 166 166**



## We're not all about tracks and pads...

We also stock a range of specialty drum mounts and rubber buffers, wear parts for pavers, excavators and earthmoving equipment — plus undercarriage components for excavators and pavers.



**TRACKPADS  
AUSTRALIA**

by **Conplant** 

Backed by Conplant Pty Ltd.

25 York Road, Ingleburn  
New South Wales 2565, Australia

